

MJK Expert™ 7060 / 7070 Hydrostatic Digital/Analog Level Transmitters

2.76

General



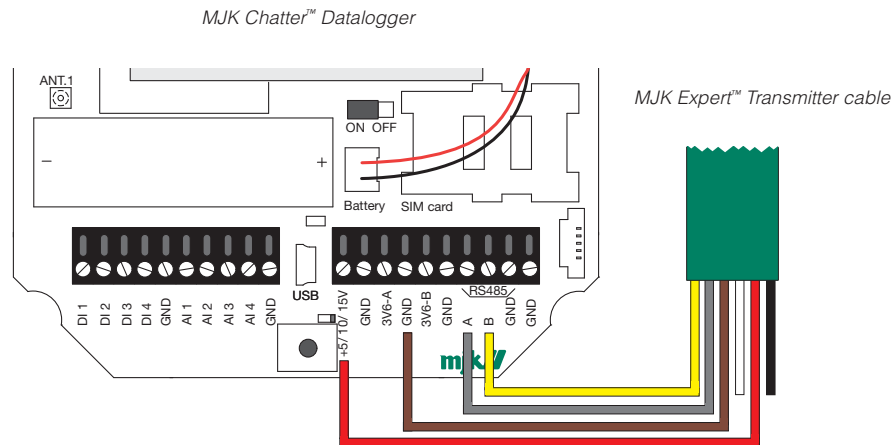
MJK Expert™ 7060 and 7070 hydrostatic digital/analog level transmitters are precision transmitters with built-in Modbus protocol for measurement readout and remote calibration during operation. They have been developed for low-energy installations and hook-up with MJK Chatter™ Datalogger.

MJK Expert™ 7070 Level Transmitter is a robust all-round transmitter perfect for level measurements in storage tanks, borings and pumpstations in drinking water and wastewater plants.

MJK Expert™ 7060 Level Transmitter has the same specifications as the 7070-transmitter, but additionally it has a very small outer diameter and is manufactured in AISI 316L acid-proof, stainless steel. The transmitter has been specially designed for operation in confined spaces like borings, wells og drinking water containers.

The transmitters are supplied with a piezo-resistive measuring system and direct airpressure compensation (relative) via an integrated ventilation tube in the cable and built-in temp. compensation in ABS (absolute) and SG (sealed gauge) versions.

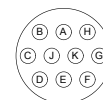
Electrical Connections



Wire color and connector pin coding

Color	Pin	Connection
Yellow	D	RS 485 B
Grey	E	RS 485 A
Brown	K	GND (ground)
White	B	n/c (signal 0,1-2,5 / 0,3-3,0 V DC)
Red	G	+5/10/15V (3,5 -12 V DC)
Black	F	n/c (shield)

Connector pins



We reserve the right to continuously improve our products and make any change in the stated specifications and dimensions without prior notice.

Specifications - Order numbers - Accessories

Specifications				
Nominal range (relative)	0 - 3 m	0 - 10 m	0 - 30 m	0 - 100 m
Measuring principle	Piezo-resistive (ABS, absolute pressure)			(SG, sealed gauge)
Min. programmable range	0 - 2 m	0 - 10 m	0 - 30 m	0 - 100 m
Max. programmable range	0 - 12 m	0 - 12 m.	0 - 60 m	0 - 150 m [®]
Non-standard range	Min. 0 - 2 m / Max. 0 - 300 m			
Max. overpressure	3 bar	3 bar	3 bar	11 bar
Min. programmable range	0 - 0.5 bar			
Max. programmable range	0 - 10 bar			
Temperature range	-10 til 60 °C			
Temperature deviation, zero-point	Better than ± 0.02 % / °C			
Temperature deviation, full range	Better than ± 0.02 % / °C			
Linearity / Stability	Better than ± 0.5 % FS / ± 0.1 % FS			
Accuracy	Better than ± 0.25 % FS @ +10 to 30 °C Better than ± 0.5 % FS @ full temperature range			
Long-time stability	Better than ± 0.5 % FS a year			
Materials	Encapsulation: PP Membrane: Stainless steel (1.4404 / AISI 316 L)			
Power supply	Digital/analog: 3,5-12 VDC (12 VDC for cable lengths longer than 100 m), analog: 3.6 V			
Output signals	Digital signal: 2-wire RS485 Modbus level- and temperature transmitter signal. Analog signal: 2-wire, 0.1 - 2.5 VDC			
Cable	2 × 0,5 mm ² (pressure) + 5 × 0,15 mm ² (data), shielded, PUR isolation			
Connections	Digital with connector, 10 pole male, IP 68 connected to counterpart			
Cable length [®]	12 m	12 m	35 m	100 m
Encapsulation	IP 68; resists a static pressure equivalent to max. measuring range			
EMC standards	EN61000-6-3/-4:2001, EN61000-6-1/-2:1999			

[®] Can be delivered with other cable lengths on request. [®] Can be delivered with max. 300 m.

Order numbers	
203761	Expert™ 7060 D/A, range 0 - 3 m
203761-Con	Expert™ 7060 D/A, range 0 - 3 m with connector
203763	Expert™ 7060 D/A, range 0 - 10 m
203763-Con	Expert™ 7060 D/A, range 0 - 10 m with connector
203781	Expert™ 7070 D/A, range 0 - 3 m
203781-Con	Expert™ 7070 D/A, range 0 - 3 m with connector
203782	Expert™ 7070 D/A, range 0 - 10 m
203782-Con	Expert™ 7070 D/A, range 0 - 10 m with connector
203783	Expert™ 7070 D/A, range 0 - 30 m
203783-Con	Expert™ 7070 D/A, range 0 - 30 m with connector
203790	Expert™ 7070 D/A, range 0 - 30 m (0 - 4 bar)
203790-Con	Expert™ 7070 D/A, range 0 - 30 m (0 - 4 bar) with connector
203791	Expert™ 7070 D/A, range 0 - 100 m (0 - 10 bar)
203791-Con	Expert™ 7070 D/A, range 0 - 100 m (0 - 10 bar) with connector
203787	Expert™ 7060 A Analog, range 0 - 3 m, supply: 3.6 VDC, signal: 0.3 - 3 V
203787-Con	Expert™ 7060 A Analog, range 0 - 3 m, supply: 3.6 VDC, signal: 0.3 - 3 V with connector

Accessories	
560915	Mounting bracket for Expert™ 7060
560916	Mounting bracket for Expert™ 7070
-	Wire relief for Expert™ 7060/70

Dimensions and Accessories

