

rainAhead

HIGH PRECISION RAIN GAUGE

7.20

General

rainAhead® is a modern and sturdy rain gauge for measuring rain intensity as well as quantity.

The rain gauge is mounted on e.g. a pole and is collecting the rain in the hopper that leads into the patented tilting-cup.

rainAhead® is calibrated to create an impulse per 0.2mm rain. A connected MJK unit measures and calculates the intensity and amount of rain.

The patented, self-emptying tilting-cup makes rainAhead® one of the most precise rain gauges on the market.

Features

- 200 cm² collecting area
- Made of Styrosun®, and tolerates temperatures down to -50° C.
- Patented tilting mechanism provides 5 electric impulses per millimetre rain.
- Connect to MJK Connect®, Mμ Connect® or Chatter®.

Applications

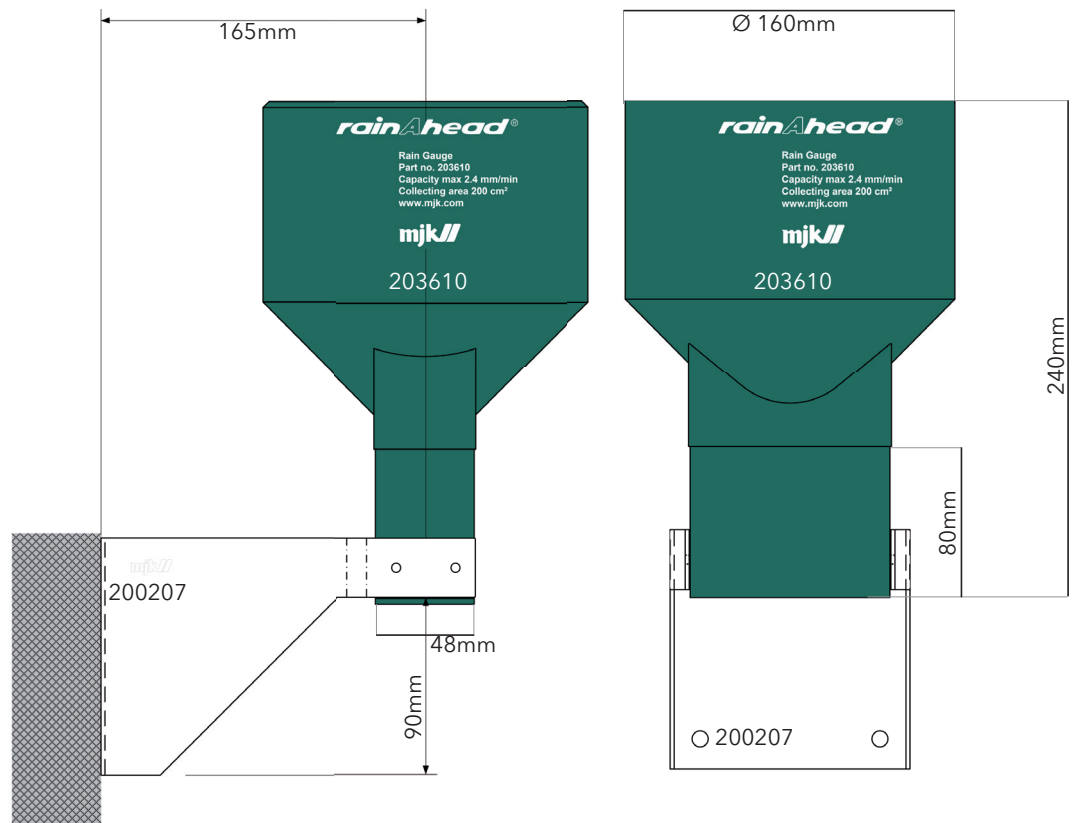
- Local control of sewer system via connected MJK unit
- Water and waste water facilities
- Collection of data for meteorological statistics and SCADA systems.
- Weather stations

DATASHEET

EN 7.20 RAINAHEAD DATASHEET 1303



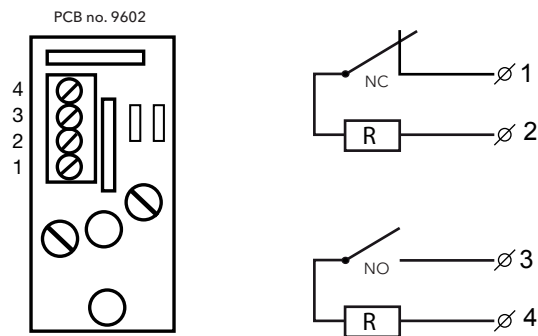
Dimensions



Specifications

| rainAhead® rain gauge | |
|-----------------------|--|
| Power supply | Powered from the connected MJK unit |
| Rain capacity | 2.4mm per minute |
| Resolution | 0.20mm per impulse, max 12 impulses/minute |
| Calibration | Factory calibrated and built-in fine-adjustment |
| Collecting Area | 200 cm ² - the meteorological standard |
| Potential free relay | R: 1 K Ω ¼W, Max: 28 V AC/DC, Max: 20 mA |
| Resolution | 0,2 mm/TIP |
| Time | 200 ms |
| Collecting Area | 200 cm ² , meteorological standard |
| Weight | 380 g. |
| Material | Styrosun® |
| Kapsling | IP 68 - Electrical parts are protected against extreme weather conditions |
| Operating Conditions | -50°C ... 60°C |
| Patents | UM-27598, AU Pat. 565951, EPO Pat 0104212, US Pat 4.644.786, CA Pat. 1246181, Japan Pat. 501208/83, Taiwan Reg. 74-201292. |

Electrical Connections



| Terminal | Switch | 0,2 mm/Tilt |
|----------|----------------------|------------------|
| 1 - 2 | NC (Normally Closed) | 200 ms Open |
| 3 - 4 | NO (Normally Open) | 200 ms Closed |

Control Function

For data collection and control rainAhead® can with great advantage be connected to:

- Connect and M μ Connect® RTU units, both providing built-in function to control the pump-down sequence depending on the rain intensity
- Chatter battery operated datalogger with GSM/GPRS modem, for transfer of data to SCADA facility for further analysis.

Datalogging of quantity and intensity is made.

Mount the raingauge on a pole or e.g. the roof, the meteorological standard is however 1.5 meter above ground.



Order Numbers

| Rain gauge | |
|------------|---------------------------|
| 203610 | MJK rainAhead® rain gauge |

| Accessories | |
|-------------|--------------------------------|
| 200207 | Bracket for RainAhead® (SS316) |
| 200205 | Universal bracket |

