

# 712 Controller

**General**



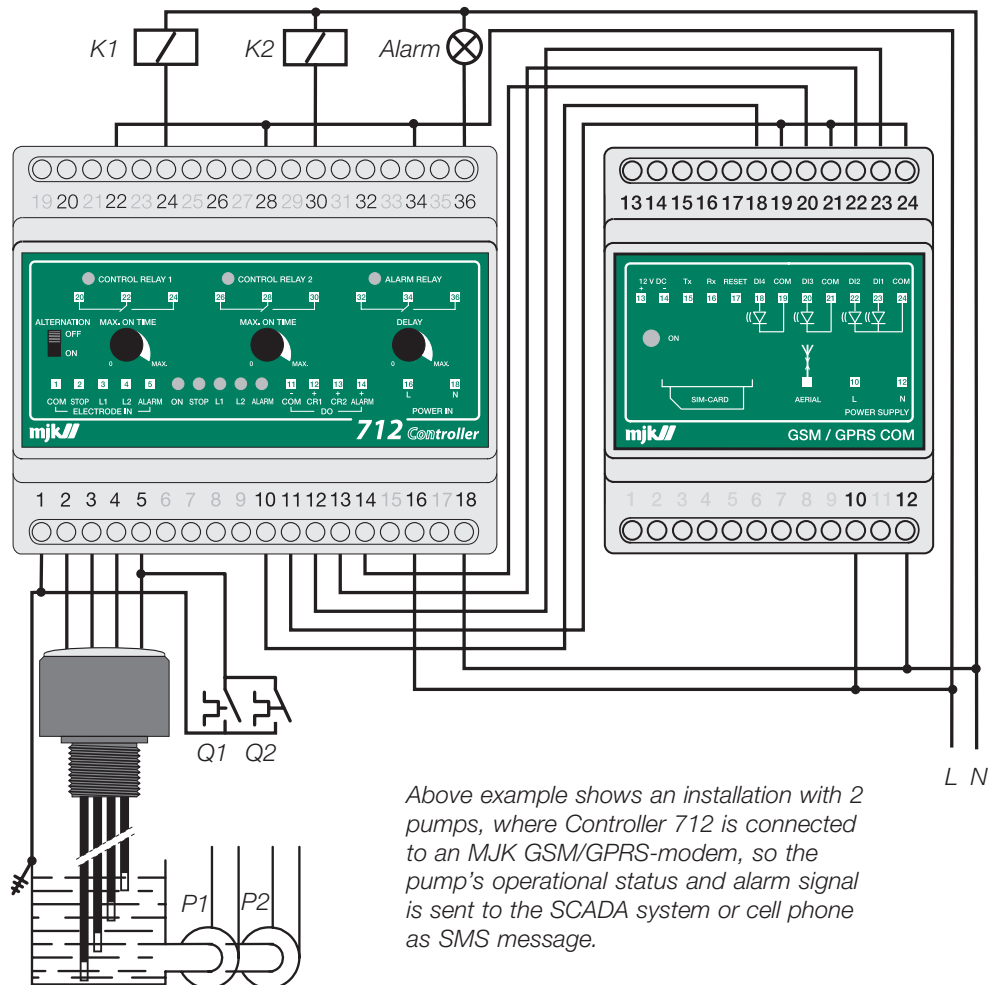
ConTroller 712 is a compact unit for control of 2 pumps or valves with optional alternation and also an alarm output. ConTroller 712 can be connected to a GSM or GPRS modem for transmission of service data and alarms to the SCADA system. Communication of all data takes place utilizing a standard Comli PLC protocol, which will ensure adaptation to the most common SCADA systems such as IGSS-32, iFix, BV-2000 and also MJK Monitor, Link and Web-Link.

**Function**

ConTroller 712 can control 1 or 2 pumps by means of level electrodes and a timer. The pumps is started when the level reaches the start electrode, and is stopped either when the level goes below the stop electrode or

after runout of a timer. ConTroller 712 has 3 output relays; 2 for control of pumps and 1 for alarm. A total of 5 level electrodes can be connected to ConTroller 712.

**Electrical connection**



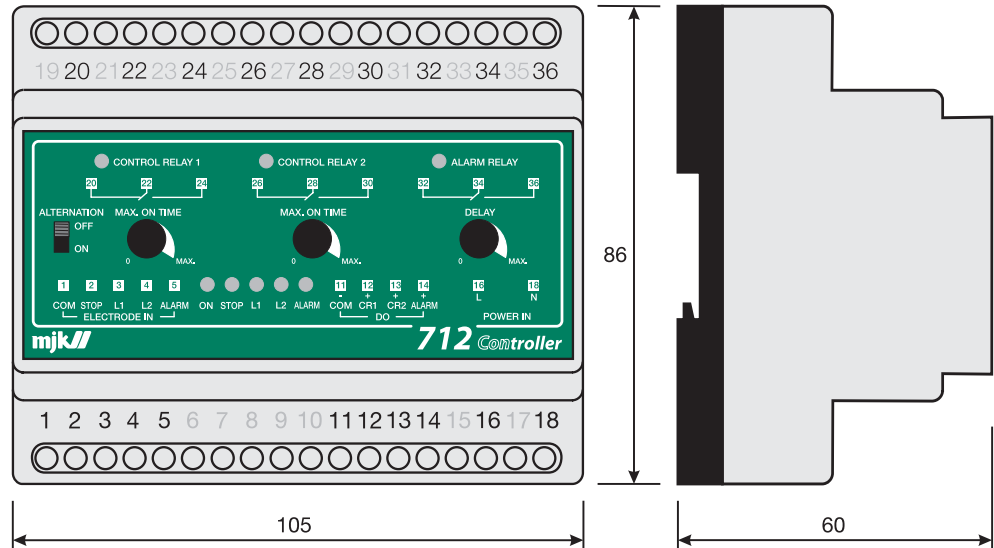
Above example shows an installation with 2 pumps, where Controller 712 is connected to an MJK GSM/GPRS-modem, so the pump's operational status and alarm signal is sent to the SCADA system or cell phone as SMS message.

Specifications

*ConTroller 712*

Mounting:	DIN rail
Enclosure:	IP22
Supply:	230 V AC +/- 10 %, app. 5 VA
Temperature range:	-10 ... +60 °C
Inputs:	5 x level electrodes
Outputs:	3 x voltage free changeover relays, max. load 250 V AC, 4 A resistive load, 100 VA inductive load 10 V DC available for status signals to MJK GSM/GPRS modem
Indication:	3 x LED's for relays and 5 x LED's for status signals to GSM/GPRS modem.

Dimensions

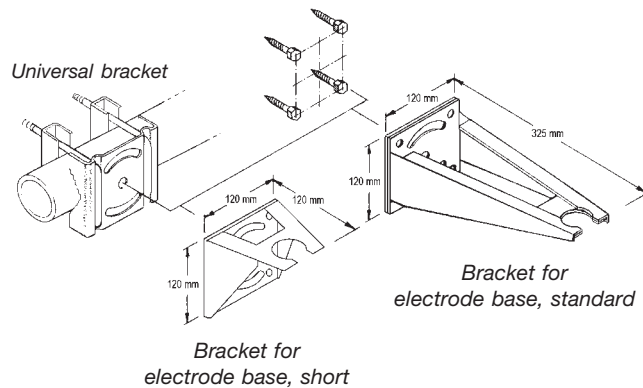


Order numbers

201980	712 Controller
201982	712 Controller, complete with electrode base and 4 x electrodes

Accessories

200219	Bracket for electrode base, short
200220	Bracket for electrode base, standard
200205	Universal bracket
205123	GSM modem, 4 DI
205124	GPRS modem, 4 DI
205116	Aerial, vandal proof, for GSM/GPRS
200146	Charger for battery
550240	Accumulator, 12 V, 2 Ah
550241	Accumulator, 12 V, 6,5 Ah
550242	Accumulator, 12 V, 12 Ah



GSM/GPRS aerial, vandal proof